

CITY OF NAPOLEON
ENGINEERING DEPARTMENT

SIGN PERMIT

(Please Print or Type)

Do Not Write Within Boxed Area,
For Engineering Office Use Only.

Permit No.	00596
Issued	5-18-93
By	BREHE N. DANMAN
Estimated Cost	
Base Fee	\$ 5.00
Add	2.98
Total Fee	7.98

COMPLETED

Owner's Name De He Fong
Address 2051 DOTT St., Toledo, OH 43607

Builder Self Address

SIGN BILLBOARD

AWNING

MARQUEE

Location of Project: 1851 Oakwood Avenue, Suite 181

Additional Information: Wall hung neon letters

Dimensions 2' x 18'

Square Feet PAID 36

Date 5-18-93

Signature of Applicant *[Signature]* 5-18-1993

Application Must Be Accompanied with Sketch and Description of Proposed Installation OF NAPOLEON

White - Applicant

Yellow - Clerk-Treasurer

Pink - Engineering

Gold - County Auditor

Tel

CITY OF NAPOLEON
ENGINEERING DEPARTMENT

APPLICATION for SIGN PERMIT

(Please Print or Type)

Owner's Name DE HE FONG
Address 2051 DORR ST Toledo, Ohio 43607

Builder SELF Address _____ Tel _____

SIGN BILLBOARD AWNING MARQUEE

Location of Project: 1851 Oakwood Ave Suite 181

Additional Information: wad hung iron letters.

Dimensions 2 X 18' Square Feet 36

Date _____ Signature of Applicant _____

Application Must Be Accompanied with Sketch and Description of Proposed Installation
Base Fee \$5.00 plus \$.08 Per Sq. Ft. Estimated Cost \$.00

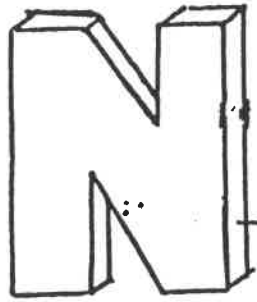
PAID
MAY 18 1993
CITY OF NAPOLEON

Sketch of Proposed SIGN
also provide a Location Map
on back

For Engineering Office Use Only.

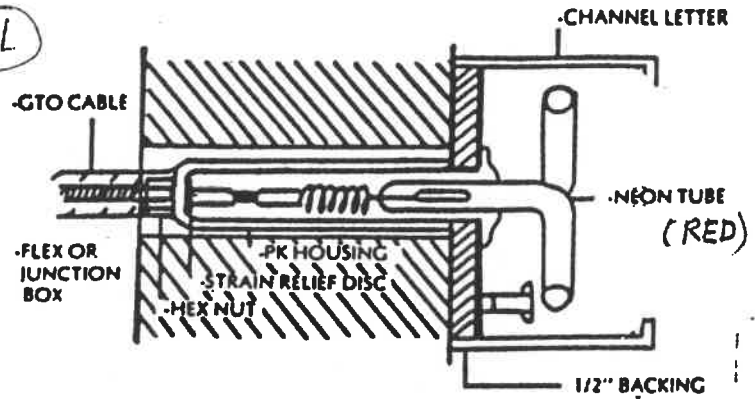
Permit No.	<u>00596</u>
Issued	<u>5-18-93</u>
By	<u>B.ND</u>
Estimated Cost	<u>5.00</u>
Base Fee	<u>2.88</u>
Add	<u>#7.88</u>
Total Fee	

1851 Oakwood
Suite 181



.040 DARK
BRONZE
ALUMINUM BOX

(UL)



20" 216"
CHINESE

FOOD